



Operating Instructions and Parts Manual AFS-850 Air Filtration System



JET
427 New Sanford Road
LaVergne, Tennessee 37086
Ph.: 800-274-6848
www.jettools.com

Part No. M-JT1-229
Edition 1 09/2023
Copyright ©2023, JET



1.0 IMPORTANT SAFETY INSTRUCTIONS

When using an electrical appliance, basic precautions should always be followed, including the following:
READ ALL INSTRUCTIONS BEFORE USING THIS AIR FILTRATION UNIT.

⚠WARNING To reduce the risk of fire, electric shock, or injury:

1. Read and understand the entire owner's manual before attempting assembly or operation.
2. Read and understand the warnings posted on the machine and in this manual. Failure to comply with all of these warnings may cause serious injury.
3. Replace the warning labels if they become obscured or removed.
4. Do not use this air filtration system for other than its intended use. If used for other purposes, JET disclaims any real or implied warranty and holds itself harmless from any injury that may result from that use.
5. Never duct a machine directly into the air filtration unit.
6. To avoid a potentially dangerous situation, do not use this equipment to filter volatile fumes or smoke.
7. Do not use this equipment to filter flammable vapors. This air filtration unit is designed and intended for the filtration of air borne dust only. It is neither designed nor intended for any other purpose whatsoever.
8. Keep visitors a safe distance from the work area. Keep children away.
9. Make your workshop child proof with padlocks, master switches or by removing starter keys.
10. **DRUGS, ALCOHOL, MEDICATION.** Do not operate tool while under the influence of drugs, alcohol or any medication.
11. Make certain the Power ON/OFF Switch is in the OFF position before connecting the machine to the power supply.
12. Make certain the machine is properly grounded.
13. Use recommended accessories; improper accessories may be hazardous.
14. **GROUND ALL TOOLS.** If tool is equipped with three prong electrical plug, it should be plugged into a three-hole electrical receptacle. If an adapter is used to accommodate a two-prong receptacle, the adapter lug must be attached to a known ground. Never remove the third prong.
15. **WARNING:** Drilling, sawing, sanding, or machining wood products generates wood dust and other substances known to the State of California to cause cancer. Avoid inhaling dust generated from wood products or use a dust mask or other safeguards to avoid inhaling dust generated from wood products. Wood products emit chemicals known to the State of California to cause birth defects or other reproductive harm. (California Health and Safety Code Section 25249.6)
16. Keep safety guards, panels, and doors in place, secured, and always closed when the machine is in use. If removed for maintenance purposes, use extreme caution and replace the guards, install the panels and close the doors immediately after completion of maintenance.
17. Maintain tools with care. Keep filters clean for the best and safest performance.
18. Turn off and disconnect the machine from power before cleaning. Follow the instructions under 10.2 Cleaning the Filters. Do not use your hands to remove debris from the filters.
19. Do not use this air filtration unit with a damaged cord or plug. If the unit is not working as it should, has been dropped, damaged, left outdoors, or dropped into water, return it to a service center.
20. This machine is designed to operate while it is setting on the floor. Only use this machine with it setting on a level, stable floor surface. Never place this machine on a bench, chair, table, cart, or any other elevated surface, or where there is a risk of tipping over. Do not hang this machine from the ceiling or any other structure.
21. Do not block the top of the Fan Head or any portion of the perforated Steel Barrel.
22. To reduce risk of electric shock, do not expose filtration unit to water or rain.
23. Do not use in high humidity or wet environments. Doing so may cause electric shock and/or decreased performance of the unit.
24. **WARNING:** Not suitable for use with solid-state speed controls.
25. Suitable for commercial or industrial use only.

Familiarize yourself with the following safety notices used in this manual:

⚠CAUTION This means that if precautions are not heeded, it may result in minor injury and/or possible machine damage.

⚠WARNING This means that if precautions are not heeded, it may result in serious, or possibly even fatal, injury.

SAVE THESE INSTRUCTIONS

2.0 Table of contents

Section	Page
1.0 IMPORTANT SAFETY INSTRUCTIONS	2
2.0 Table of contents.....	4
3.0 About This Manual	5
4.0 Features	6
5.0 Specifications	7
6.0 Setup	9
6.1 Unpacking and Cleanup	9
6.2 Shipping Contents	9
6.4 Installation	9
7.0 Electrical Connections.....	9
7.1 GROUNDING INSTRUCTIONS	9
7.2 Extension Cords	10
8.0 Controls Functions	10
8.1 Control Panel Buttons	10
9.0 Operation	12
10.0 User Maintenance	12
10.1 Changing the Filters	12
10.2 Cleaning the Filters	13
10.2.1 Washable Pre-Filter.....	13
10.2.2 Cleaning Canister Filter.....	13
10.4 Cleaning Sensors	14
10.5 Sensor Replacement.....	14
10.6 Control Board Replacement.....	14
11.0 Troubleshooting	15
12.0 Replacement Parts.....	16
12.1.1 AFS-850 Unit – Exploded View	16
12.1.2 AFS-850 Unit – Parts List.....	17
12.2.1 Display Module Assembly – Exploded View	18
12.2.2 Display Module Assembly – Parts List	18
12.3.1 Lower Panel Cover Assembly – Exploded View	18
12.3.2 Lower Panel Cover Assembly – Parts List	18
12.4.1 Plastic Base Cover Assembly – Exploded View.....	19
12.4.2 Plastic Base Cover Assembly – Parts List	19
13.0 Electrical Connections - 115V	20
14.0 Warranty and Service.....	21


3.0 About This Manual

This manual is provided by JET, covering the safe operation and maintenance procedures for a JET Model AFS-850 Air Filtration System. This manual contains instructions on installation, safety precautions, general operating procedures, maintenance instructions and parts breakdown. Your machine has been designed and constructed to provide consistent, long-term operation if used in accordance with the instructions as set forth in this document.

This manual is not intended to be an exhaustive guide to air filtration systems. Additional knowledge can be obtained from experienced users or trade articles. Whatever accepted methods are used, always make personal safety a priority.

If there are questions or comments, please contact your local supplier or JET. JET can also be reached at our web site: www.jettools.com.

Retain this manual for future reference. If the machine transfers ownership, the manual should accompany it.

 WARNING Read and understand the entire contents of this manual before attempting assembly or operation! Failure to comply may cause serious injury!

Register your product online -

<https://jettools.com/product-registration>

4.0 Features

- Large easy to read display panel clearly shows:
 - Filter Status
 - Bright LED indicators notify the user of the filter status.
 - GOOD
 - REPLACE SOON
 - REPLACE
 - Fan Speed – 6 levels
 - Timer Setting
 - 1 to 16 hours in 1-hour increments
 - Automatically shuts off when timer runs out
- High-Efficiency Brushless DC Motor
 - Improved durability
 - Quieter operation
 - More energy efficient
- Auto Mode:
 - In Auto Mode the unit monitors ambient air quality using an integrated PM2.5 sensor and adjusts fan speed to compensate
 - More air flow when it's needed to quickly improve air quality
 - Save energy and filter life when dust levels are low
- Power Cord Length – 15ft.
- Pre-Filter – non-woven, washable
- Canister Filter – 1 Micron @98%
- Optional Charcoal filter – 2 layer
- Optimal Mobility: With circle handle and 15-ft power cord, move the air filter to the dust.

5.0 Specifications

Table 1

Model No.	AFS-850	
Stock No.	JT1-229	
SPECIFICATION		
Motor:		
Motor type	BLDC (Brushless Direct Current Motor)	
Horsepower	1/5HP	
Phase	3PH	
Electrical:		
Voltage	120V input, single phase only	
Frequency	60Hz	
Listed FLA (full load amps)	2.5 A	
Motor speed range	1500~2500 RPM	
Power cord	SJT 18 AWG x 3C, 0.824mm ² , 105°C, 15ft	
Power plug	American Type NEMA (10A/125V)	
Overload protector	5A	
Performance:		
Fan Speed	Air flow without filter (CFM) ¹	Sound rating @ 1m ¹
1	450 ±10%	51dB
2	530 ±10%	54dB
3	610 ±10%	56dB
4	690 ±10%	58dB
5	770 ±10%	60dB
6	850 ±10%	64dB
Control Panel:		
On/off switch	Rocker switch	
Speed control	Six selectable speeds	
Timer Setting (Hour)	1 ~ 16 (LED display)	
Display	LED module	
Auto Mode	Sensor detects air quality and adjusts fan speed accordingly	
Filters:		
Pre Filter (stock # AFS850-008)	PE mesh, washable	
Canister Filter (stock # AFS850-016)	1 Micron @ 98%	
Optional Charcoal Filter (stock # AFS850-CF)		

Table 1 (cont.)

Dimensions and Weight:	
Overall Dimensions (L x W x H / in)	19.134" x 19.134" x 36.575" (486 x 486 x 929 /mm)
Packing Dimensions (L x W x H / in)	20.866" x 20.866" x 41.969" (530 x 530 x 1066 /mm)
Net Weight	31.9 lb (14.5 kg)
Gross Weight	40.39 lb (18.36 kg)

¹ Variable of $\pm 10\%$, for general information only, not to be viewed as fixed parameters for inspection purposes.

L = length, W = width, H = height

n/a = not applicable

The specifications in this manual were current at time of publication, but because of our policy of continuous improvement, JET reserves the right to change specifications at any time and without prior notice, without incurring obligations.

⚠WARNING

Read and understand the entire contents of this manual before attempting to install and operation. Failure to comply may cause serious injury.

6.0 Setup

6.1 Unpacking and Cleanup

Inspect the Air Filtration Unit and check for shipping damage. Report any damage immediately to your distributor and shipping agent. Do not discard any shipping material until the Air Filtration Unit is installed and running properly.

Compare the contents of your container with the following parts list to make sure all parts are intact. Missing parts, if any, should be reported to your distributor.

6.2 Shipping Contents

Carton contents

- 1 Air Filtration Unit
- 1 Manual and Warranty Card

6.4 Installation

⚠CAUTION

This machine is designed to operate while it is setting on the floor. Only use this machine with it setting on a level, stable floor surface. Never place this machine on a bench, chair, table, cart, or any other elevated surface, or where there is a risk of tipping over. Do not hang this machine from the ceiling or any other structure.

The AFS-850 has a 15-foot power cord, a wide base, and a 360° circular handle. Using the handle, you can slide or move this machine to an area closest to your dust source.

This unit will work best if located away from corners and heating/cooling vents.

Installation is quick and easy. Just plug the power cord into an electrical outlet and the machine is ready to power on and use.

Follow these power cord safety requirements:

- Route the power cord so that it will not become entangled in the machine in any way.
- Route the cord to the power supply in a way that does not create a trip hazard.
- Do not route cord under carpeting or cover the cord with throw rugs, runners, or similar coverings.
- Do not route cord under furniture or appliances.

7.0 Electrical Connections

⚠WARNING

Electrical connections should be made by a qualified electrician in compliance with all relevant codes. Failure to comply may cause serious injury.

The AFS-850 Air Filtration System is prewired for single phase, 120V power. It is provided with a plug designed for use on a circuit with a grounded outlet that looks like the one pictured in Figure 7-1.

It is recommended that the AFS-850 be connected to a 15-amp circuit with a circuit breaker or fuse. If fuses are used, they should be time-delay fuse marked "D". **Local codes take precedence over recommendations.**

7.1 GROUNDING INSTRUCTIONS

1. All Grounded, Cord-connected Tools:

This machine must be grounded. In the event of a malfunction or breakdown, grounding provides a path of least resistance for electric current to reduce the risk of electric shock. This tool is equipped with an electric cord having an equipment-grounding conductor and a grounding plug. The plug must be plugged into a matching outlet that is properly installed and grounded in accordance with all local codes and ordinances.

Do not modify the plug provided - if it will not fit the outlet, have the proper outlet installed by a qualified electrician.

Improper connection of the equipment-grounding conductor can result in a risk of electric shock. The conductor with insulation having an outer surface that is green with or without yellow stripes is the equipment-grounding conductor. If repair or replacement of the electric cord or plug is necessary, do not connect the equipment-grounding conductor to a live terminal.

⚠WARNING

Check with a qualified electrician or service person if the grounding instructions are not completely understood, or if in doubt as to whether the tool is properly grounded. Failure to comply may cause serious or fatal injury.

Use only 3-wire extension cords that have 3-prong grounding plugs and 3-pole receptacles that accept the tool's plug.

Repair or replace damaged or worn cord immediately.

2. Grounded, cord-connected tools intended for use on a supply circuit having a nominal rating **less than 150 volts:**

This tool is intended for use on a circuit that has an outlet that looks like the one illustrated in Figure 7-1.

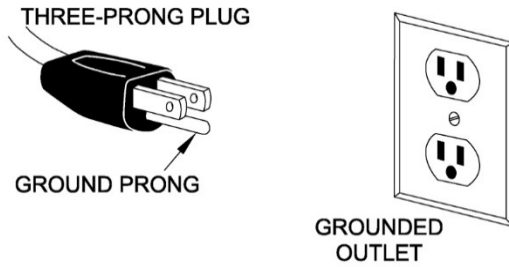


Figure 7-1

7.2 Extension Cords

The use of extension cords is discouraged. Try to position machines within reach of the power source. If an extension cord must be used, make sure it is heavy enough to carry the current your product will draw. An undersized cord will cause a drop in line voltage resulting in loss of power and overheating. Table 2 shows correct size to use depending on cord length and nameplate ampere rating. If in doubt, use the next heavier gauge. The smaller the gauge number, the heavier the cord.

Ampere Rating		Volts	Total length of cord in feet			
More Than	Not More Than		25	50	100	150
		120	AWG			
0	6		18	16	16	14
6	10		18	16	14	12
10	12		16	16	14	12
12	16		14	12	Not Recommended	

Extension Cord Recommendations
Table 2

8.0 Controls Functions

8.1 Control Panel Buttons



Figure 8-1

POWER ON/OFF SWITCH – A

The Power ON/OFF Switch (Fig. 8-1, A) is a rocker switch on the control panel used to supply power to the AFS electronic controls and thus the full AFS.

In the OFF position, AC power is disconnected from the electronics. The AFS unit will not turn On.

In the ON position, AC power is connected to the electronics. The electronics are powered On in a STANDBY state awaiting user input via the ON/OFF Button (B).

ON/OFF BUTTON – B

When the Power ON/OFF Switch (Fig. 8-1, A) is first turned ON, power is supplied to the electronics and the AFS unit is in the STANDBY state. All DISPLAYs are off.

Each press of the ON/OFF Button (Fig. 8-1, B) cycles the AFS unit between STANDBY and ON.

Pressing the ON/OFF Button once:

- AFS Unit goes to ON state.
- The TIMER DISPLAY is blank.
- The fan starts to run at speed 1.
- The SPEED DISPLAY shows 1 bar for speed 1.
- The FILTER DISPLAY will illuminate the filter status.

Pressing the ON/OFF Button again does the following:

- AFS unit goes to STANDBY state.
- All DISPLAYs are off, and the fan stops.

TIMER

The TIMER may be set in 1-hour increments from 1 to 16 hours. When the timer expires, the fan will stop and the AFS will enter STANDBY state.

When the timer is not being used, the TIMER Display will be blank and the AFS will run continuously until the user changes the settings or stops the AFS.

To activate the TIMER, press the TIMER + Button.

- The TIMER DISPLAY changes from blank to display flashing "1". This is 1 hour.
- Pressing the TIMER + Button again will increase the number by 1 each time the TIMER + Button is pressed. Up to a maximum of 16 hours.
- Pressing the TIMER – Button will decrease the number by 1 each time the TIMER - Button is pressed. Down to a blank display turning the TIMER Off and running the AFS continuously.
- If the display is already set and showing an hour time value, then pressing the TIMER + or –

Button will add or subtract time from the already set value.

- When the TIMER + or – Button have been pressed, the number on the TIMER Display will flash for 1 second and then show steady ON. Steady ON indicates the TIMER is set and the countdown has begun.
- Pressing and holding either the TIMER + or – Button (2 seconds) will advance the count quickly (changing every 0.2 seconds) until the button is released.

FAN SPEED ADJUSTMENT

The SPEED Display uses illuminated bars to indicate which speed level is active. The upper most illuminated bar is the current speed setting. The bars not lit are still available to increase fan speed if desired.

Air flow at each fan SPEED setting is as follows:

Fan Speed Setting	CFM
1 (1-bar)	450 ±10%
2 (2-bars)	530 ±10%
3 (3-bars)	610 ±10%
4 (4-bars)	690 ±10%
5 (5-bars)	770 ±10%
6 (6-bars)	850 ±10%

Table 3

When the AFS is turned ON, the fan will start and run at SPEED 1 until changed by the user. The SPEED Display will show 1 bar.

- Pressing the SPEED + Button will increase the fan speed.
- Pressing the SPEED – Button will decrease the fan speed.

AUTOMATIC MODE

NOTE: For best performance in AUTO Mode, allow adequate air flow to the sensor on the front of the unit (see Fig. 8-3).



Figure 8-3

When the AUTO Button is pressed, the AUTO Button is illuminated, and the AFS is operating in AUTO Mode.

In AUTO Mode, the integrated sensor detects the air quality and adjusts the fan speed accordingly. Thereby reducing energy consumption when air quality is good and increasing the fan speed when dust is present.

- Pressing either the SPEED + or – Button will deactivate AUTO Mode and return to manual mode.

NOTE: In AUTO Mode the unit may require several minutes to return to fan speed 1 once dust is detected. The unit intentionally ramps down slowly to ensure good shop air quality.

FILTER STATUS INDICATOR

The FILTER Status Indicators are located on the control panel and are there to indicate the condition of the filters.

"GOOD" indicates that the filters are clean enough to provide effective filtration.

"REPLACE SOON" indicates that the filters are becoming clogged, reducing the unit's ability to effectively filter the shop air, and therefore will need to be cleaned/replaced soon.

"REPLACE" indicates that the filter is clogged to the point that it needs to be cleaned or replaced.

9.0 Operation

NOTE: The Air Filtration Unit is designed to remove airborne, non-metallic dust particles; it is not designed to take the place of a dust collection system.

Larger particles are trapped by the Pre-Filter. Smaller particles are stopped by the Canister Filter. The clean air is then exhausted through the impellers at the top of the machine.

IMPORTANT: Do not block the top of the Fan Head or any portion of the perforated Steel Barrel.

Normal operation:

- Place Power On/Off Switch to ON.
- Press the On/Off Button.
- Set the SPEED as desired or select AUTO.
- If desired, set the TIMER to automatically turn off at a later time.
- At the end of the day or shift, or if leaving for an extended period of time, press the On/Off Button to stop the fan.
- If leaving for a longer period of time, such as a weekend or vacation, turn the Power On/Off Switch to Off.

10.0 User Maintenance

⚠WARNING Always disconnect power to the machine before performing maintenance. Failure to do this may result in serious personal injury.

10.1 Changing the Filters

⚠WARNING To reduce the risk of injury, disconnect the air filtration system from the power source (unplug) before servicing or changing filters. Failure to comply may cause serious injury!

There are two filters that need to be changed or cleaned, the Pre-Filter and the Canister Filter.

Filter life will vary depending on the amount of usage and the environment of your shop. Clogged filters will reduce the amount of air circulation.

1. Unplug the machine's power cord from the electrical outlet.
2. Place a foot on the Base, grasp the Circle Handle, and turn Fan Head counterclockwise to unlock (see Figure 10-1).



Figure 10-1

3. Lift the Fan Head straight up set it aside.
4. Lift the Pre-Filter/Canister Filter out of the Steel Barrel (see Figure 10-2).

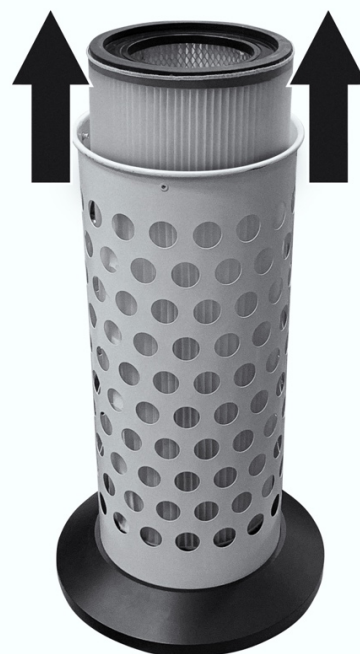


Figure 10-2

- Remove the Pre-Filter from the Canister Filter (see Figure 10-3).



Figure 10-3

- Either clean the Pre-Filter or replace it with a new filter. The Pre-Filter can be cleaned with water. If cleaning, follow the instructions in 10.2.1 Washable Pre-Filter.
- Either clean the Canister Filter or replace it with a new filter. If cleaning, do not use water. Follow the instructions in 10.2.2 Cleaning Canister Filter.
- If using a new Canister Filter, remove any protective wrapping.
- Install new or cleaned Pre-Filter around the new or cleaned Canister Filter. Place filters into the Steel Barrel.
- Place the Fan Head back onto the Steel Barrel. Place a foot on the base and slightly rotate the Fan Head left and right until it drops into place on the mounting studs located around the top of the Steel Barrel. At this point, rotate the Fan Head clockwise to lock it into place.
- Reconnect the power cord to an electrical outlet.

Replacement Filters:

NOTE: JET brand filters are recommended for best performance.

AFS850-008Pre-Filter
 AFS850-016Canister Filter
 AFS850-CFCharcoal Filter (optional accessory)

10.2 Cleaning the Filters

⚠WARNING To reduce the risk of injury, disconnect the air filtration system from the power source (unplug) before servicing or changing filters. Failure to comply may cause serious injury!

This AFS is designed to remove airborne non-metallic dust particles from the air. Cleaning is about removing those particles from the filter in the opposite direction from which they came.

Clean both the Pre-Filter and the Canister Filter at the same time. Whether using the Filter Status Indicator or a visual inspection, both filters should be cleaned to restore as much filtration ability as possible.

Remove the filters from the AFS unit as described in 10.1 Changing the Filters.

10.2.1 Washable Pre-Filter

The Pre-Filter (p/n AFS850-008) is washable and must be dry before returning to service.

- Using a hose and spray nozzle with normal tap water pressure, spray the filter from the inside out. Opposite the operating air flow. This will rinse the larger loose particles out of the filter.
- Mix a mild detergent and water mixture (soap) such as dish soap. Mix a drop or two of dish soap and water into a spray bottle. If using a commercial electrostatic detergent, follow the label instructions.
- Spray the soap onto the entire filter until fully covered.
- Allow the soap to soak 1 to 2 minutes on the filter but do not allow the soap to dry. This will create a sticky film that is difficult to remove.
- Thoroughly rinse the soap out of the Pre-Filter.
- Allow all excess water to drain off the filter. While the filter does not need to be absolutely dry, do not return to service if water is dripping or droplets are still visible.
- Low pressure compressed air may be used to remove any remaining water from the filter.

10.2.2 Cleaning Canister Filter

The Canister Filter (p/n AFS850-016) is a dry filter and should not get wet. Clean the filter using a vacuum with a brush attachment on the vacuum hose.

- Lightly brush the vacuum brush nozzle over the outside side of the filter. The brush will help dislodge the particles which will then be removed by the vacuum.
- Make several passes moving in line with the pleats of the filter.

- Visually inspect the filter while cleaning. If the filter material is worn, torn, or coming apart from the frame, it must be replaced.

10.4 Cleaning Sensors

Dust may accumulate on the sensor (see Fig. 8-3) and affect the performance in AUTO mode. Clean the Sensor with a dry cloth or compressed air.

10.5 Sensor Replacement

The AFS unit ships from the factory with the sensor and control board calibrated and ready to use. In the event the sensor should need replacing, follow these instructions to calibrate the new sensor:

1. With the Power ON/OFF Switch (Fig. 10-4, A) in the OFF position, press and hold the Timer-DN(-) and Timer-UP(+) buttons simultaneously and switch the Power ON/OFF Switch to the ON position to enter the environment value setting mode.

2. The screen flashes and displays “- -”, the calibration is completed when the detected value is stable (- - disappears), and then returns to the standby state.

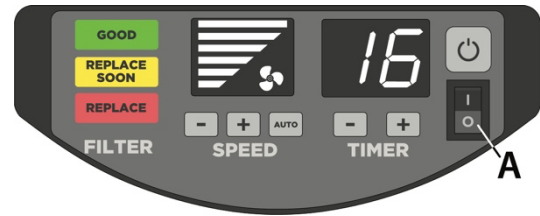


Figure 10-4

10.6 Control Board Replacement

In the event the control board needs replacing, follow the steps in Section 10.5 to calibrate the sensor with the new control board.

11.0 Troubleshooting

Table 4

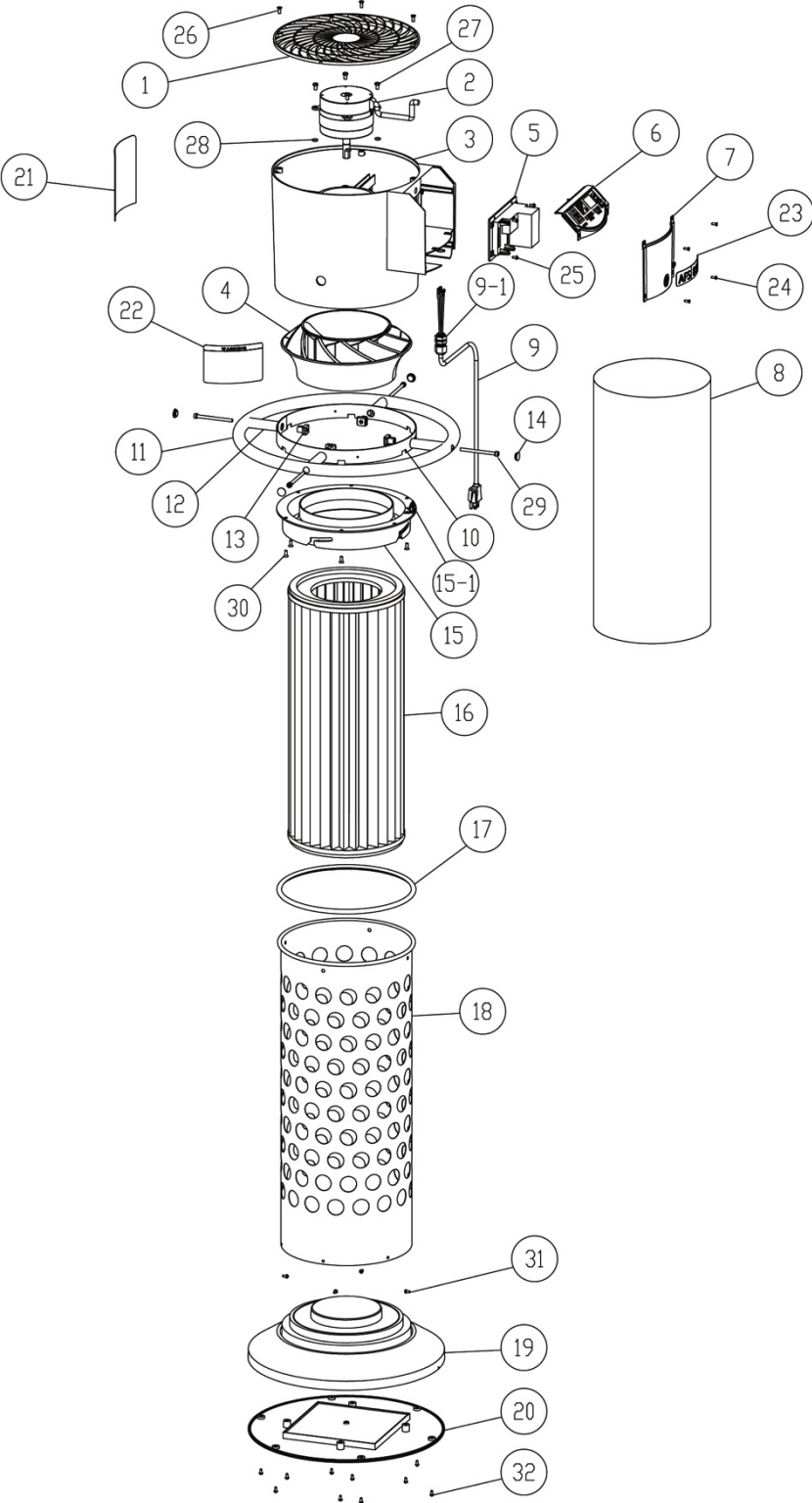
Symptom	Probable Cause	Remedy
AFS will not start	Power ON/OFF Switch in the OFF position	Move Power ON/OFF Switch to the ON position.
	No incoming power	Check plug connection Verify there is power at the outlet, check breaker or fuse panel.
	Low voltage	Request voltage check from power company and correct low voltage condition.
	Power cord damaged	Replace power cord.
	Control button or PCBA malfunction	Contact JET customer service.
Excessive vibration	Loose frame, parts, or fasteners	Inspect and tighten as needed.
	Impeller imbalance	Clean impeller (do not use solvents). If imbalance still occurs, replace impeller.
	Motor imbalance	Have motor tested by qualified personnel; replace if needed.
Unit not working efficiently; not cleaning air.	Filter not installed properly	Reinstall filter.
	Blocked air flow	Inspect filter; replace if clogged remove blockage.
Controls on unit not working	Control button or PCBA malfunction	Contact JET customer service.
Timer screen displays numbers / letters other than a countdown timer	If screen displays A8, filter is not installed	Install filter.
	Control may be in factory set-up mode	Move Power ON/OFF Switch to the OFF position. Wait 30 seconds, then switch back to ON. Then press the On/Off Button.
	Loose connection on the control board	Move Power ON/OFF Switch to the OFF position and unplug the unit. Check the electrical connections to the control board to ensure they are all seated properly.
	Control button or PCBA malfunction	Replace control board. Contact JET customer service.

***Warning:** Some remedies may require a qualified electrician.

12.0 Replacement Parts

Replacement parts are listed on the following pages. To order parts or reach our service department, call 1-800-274-6848 Monday through Friday, 8:00 a.m. to 5:00 p.m. CST. Having the Model Number and Serial Number of your machine available when you call will allow us to serve you quickly and accurately.

12.1.1 AFS-850 Unit – Exploded View



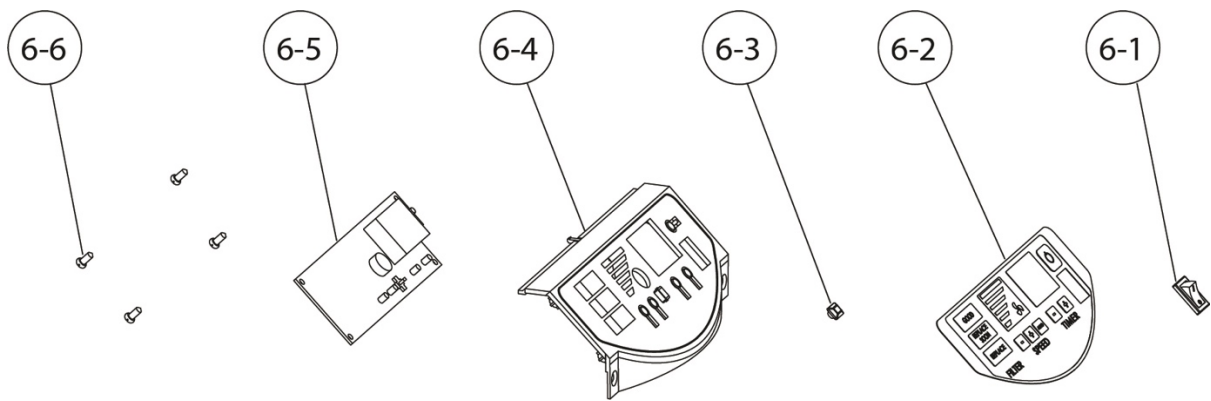
12.1.2 AFS-850 Unit – Parts List

Index No	Part No	Description	Size	Qty
1	AFS850-001	Mesh guard		1
2	AFS850-002	Motor		1
3	AFS850-003	Fan body		1
4	AFS850-004	Fan blade		1
5	AFS850-005	Control module		1
6	AFS850-DMA	Display module assembly		1
7	AFS850-PLCA	Panel lower cover assembly		1
8	AFS850-008	Pre-filter		1
9	AFS850-PC	Power cord	15-feet	1
9-1	AFS1000C-019	Cable gland		1
10	AFS850-010	Reinforcing metal bracket		1
11	AFS850-011	Circle handle		1
12	AFS850-012	Handle support		4
13	AFS850-013	Handle support base		4
14	AFS850-014	Tube plugs		4
15	AFS850-015	Deflector		1
15-1	AFS850-MS	Micro switch		1
16	AFS850-016	Filter, canister		1
17	AFS850-017	Rubber gasket		1
18	AFS850-018	Steel barrel		1
19	AFS850-019	Plastic base		1
20	AFS850-PBCA	Plastic base cover assembly		1
21	JET-56B	JET stripe (5.12" x 6.10")		1
22	AFS850-022	Warning label		1
23	AFS850-MD	Model decal, AFS-850		1
24	AFS1000C-025	Flat head screw (tapping screw)	M4 x 10	4
25	AFS1000C-DM8	Screw, pan head, Phillips (tapping screw)	M3 x 10	4
26	AFS1000C-025	Flat head screw (tapping screw)	M4 x 10	4
27	AFS1000C-032	Screw, flanged, hex head, Phillips	M6 x 10	4
28	AFS850-028	O-rings	Φ6 x Φ12	4
29	AFS850-029	Countersunk socket head screw	M6 x 85	4
30	AFS1000C-025	Flat head screw (tapping screw)	M4 x 10	6
31	AFS850-031	Round head self-tapping screws (drill tail)	M4 x 10	4
32	AFS850-032	Large flat head, Phillips, self-tapping screw	M4 x 14	10
33	AFS850-033	Motor label (not shown)		1
34	AFS850-034	ID label (not shown)		1
35	AFS850-035	Display cable (not shown)		1
36	AFS850-036	Dust sensor cable (not shown)		1

Optional Accessories:

..... AFS850-CF Charcoal filter

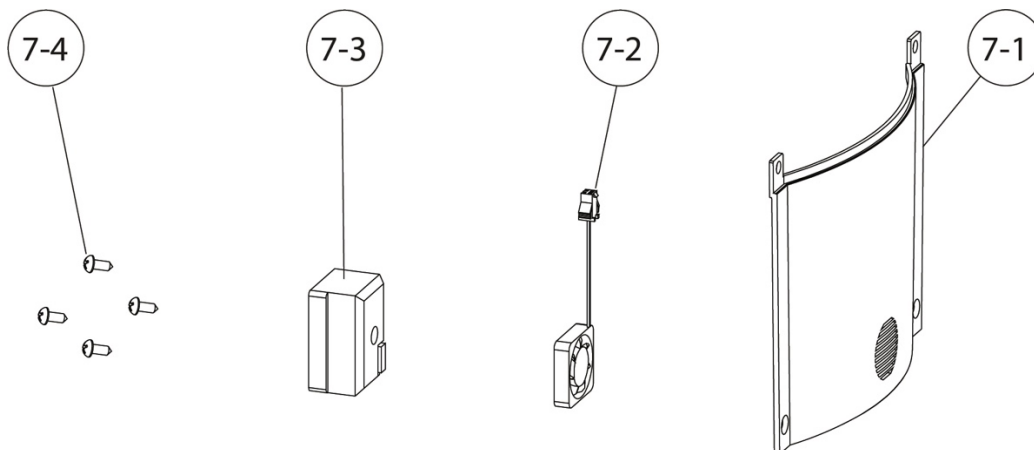
12.2.1 Display Module Assembly – Exploded View



12.2.2 Display Module Assembly – Parts List

Index No	Part No	Description	Size	Qty
6	AFS850-DMA	Display module assembly		1
6-1	AFS1000C-DM1	AC power switch		1
6-2	AFS850-DM2	Display label		1
6-3	AFS850-DM3	Auto button		1
6-4	AFS850-DM4	Display cover		1
6-5	AFS850-DM5	Display PCB		1
6-6	AFS1000C-DM6	Screw, pan head, Phillips (tapping screw)	M3 x 6	6

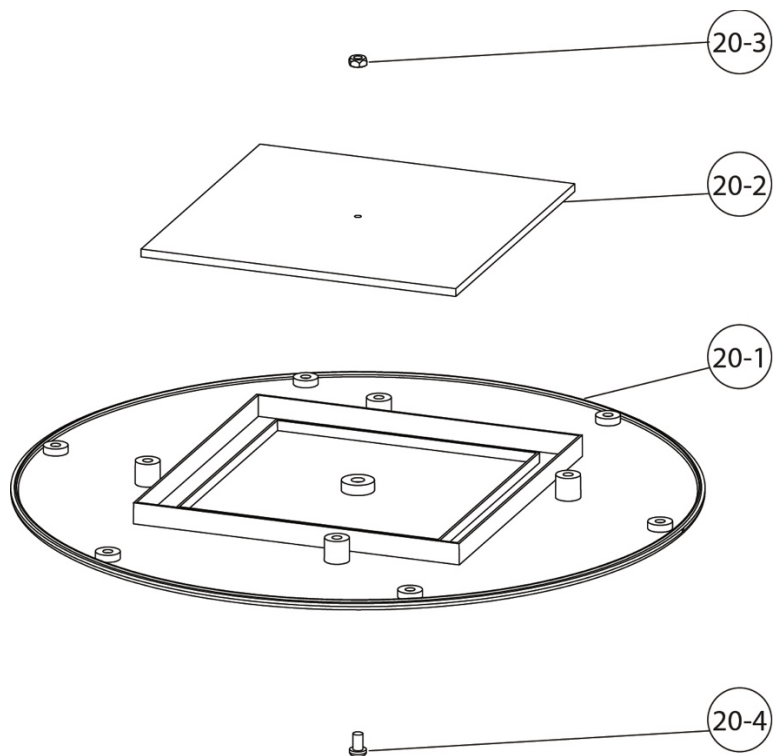
12.3.1 Lower Panel Cover Assembly – Exploded View



12.3.2 Lower Panel Cover Assembly – Parts List

Index No	Part No	Description	Size	Qty
7	AFS850-PLCA	Panel lower cover assembly		1
7-1	AFS850-PLC1	Panel lower cover		1
7-2	AFS850-PLC2	Dust sensor fan		1
7-3	AFS1000C-014	Dust sensor		1
7-4	AFS850-PLC4	Screw, round head, Phillips (tapping screw)	M3 x 8	4

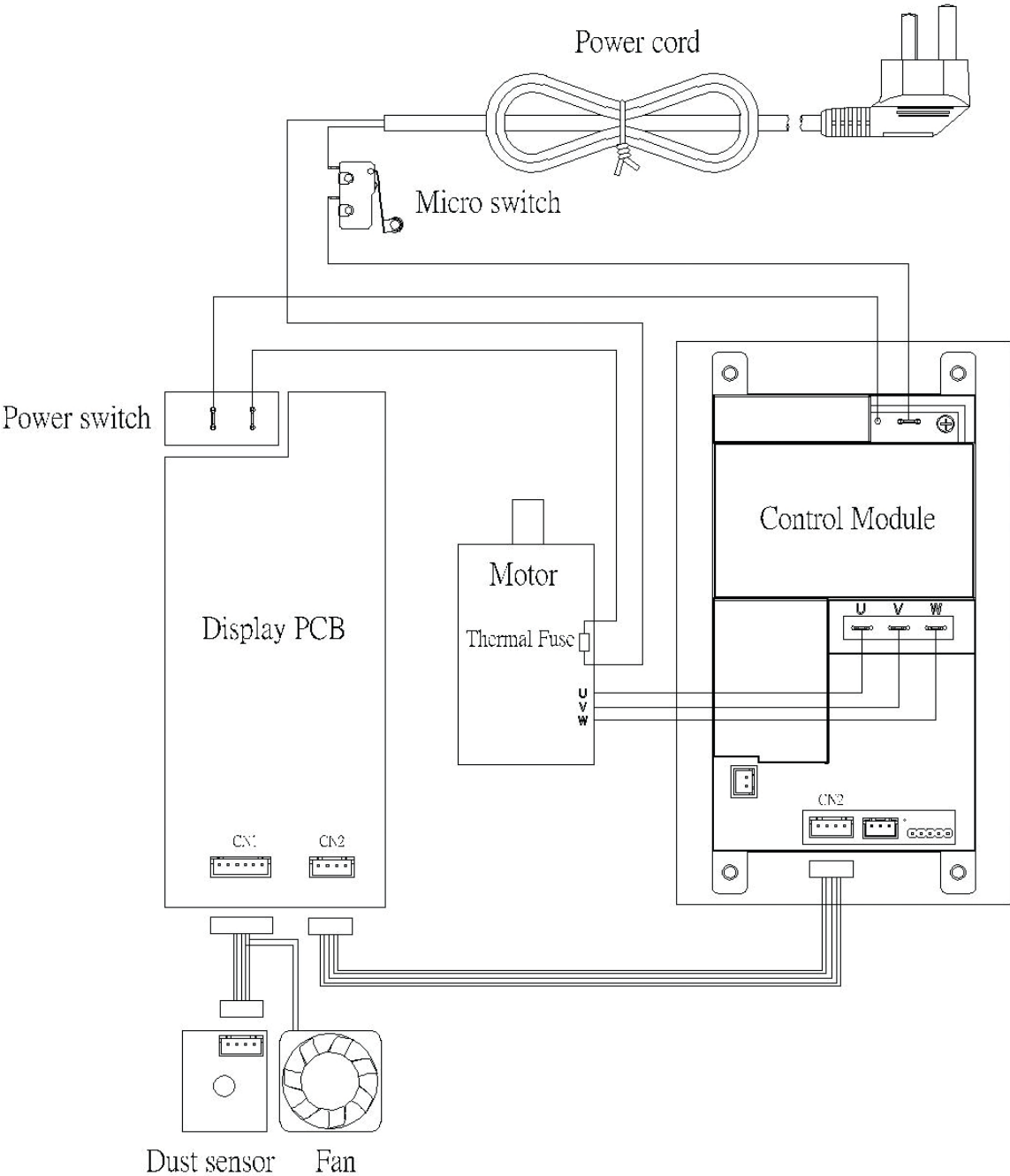
12.4.1 Plastic Base Cover Assembly – Exploded View



12.4.2 Plastic Base Cover Assembly – Parts List

Index No	Part No	Description	Size	Qty
20	AFS850-PBCA	Plastic base cover assembly		1
20-1	AFS850-PBC1	Plastic base cover		1
20-2	AFS850-PBC2	Counterweights		1
20-3	AFS850-PBC3	Hex nylon nut		1
20-4	AFS850-PBC4	Screw, flanged hex head, Phillips	M6 x 16	1

13.0 Electrical Connections - 115V



14.0 Warranty and Service

JET warrants every product it sells against manufacturers' defects. If one of our tools needs service or repair, please contact Technical Service by calling 1-800-274-6846, 8AM to 5PM CST, Monday through Friday.

Warranty Period

The general warranty lasts for the time period specified in the literature included with your product or on the official JET branded website.

- JET products carry a limited warranty which varies in duration based upon the product. (See chart below)
- Accessories carry a limited warranty of one year from the date of receipt.
- Consumable items are defined as expendable parts or accessories expected to become inoperable within a reasonable amount of use and are covered by a 90-day limited warranty against manufacturer's defects.

Who is Covered

This warranty covers only the initial purchaser of the product from the date of delivery.

What is Covered

This warranty covers any defects in workmanship or materials subject to the limitations stated below. This warranty does not cover failures due directly or indirectly to misuse, abuse, negligence or accidents, normal wear-and-tear, improper repair, alterations or lack of maintenance. JET woodworking machinery is designed to be used with Wood. Use of these machines in the processing of metal, plastics, or other materials outside recommended guidelines may void the warranty. The exceptions are acrylics and other natural items that are made specifically for wood turning.

Warranty Limitations

Woodworking products with a Five-Year Warranty that are used for commercial or industrial purposes default to a Two-Year Warranty. Please contact Technical Service at 1-800-274-6846 for further clarification.

How to Get Technical Support

Please contact Technical Service by calling 1-800-274-6846. **Please note that you will be asked to provide proof of initial purchase when calling.** If a product requires further inspection, the Technical Service representative will explain and assist with any additional action needed. JET has Authorized Service Centers located throughout the United States. For the name of an Authorized Service Center in your area call 1-800-274-6846 or use the Service Center Locator on the JET website.

More Information

JET is constantly adding new products. For complete, up-to-date product information, check with your local distributor or visit the JET website.

How State Law Applies

This warranty gives you specific legal rights, subject to applicable state law.

Limitations on This Warranty

JET LIMITS ALL IMPLIED WARRANTIES TO THE PERIOD OF THE LIMITED WARRANTY FOR EACH PRODUCT. EXCEPT AS STATED HEREIN, ANY IMPLIED WARRANTIES OF MERCHANTABILITY AND FITNESS FOR A PARTICULAR PURPOSE ARE EXCLUDED. SOME STATES DO NOT ALLOW LIMITATIONS ON HOW LONG AN IMPLIED WARRANTY LASTS, SO THE ABOVE LIMITATION MAY NOT APPLY TO YOU. JET SHALL IN NO EVENT BE LIABLE FOR DEATH, INJURIES TO PERSONS OR PROPERTY, OR FOR INCIDENTAL, CONTINGENT, SPECIAL, OR CONSEQUENTIAL DAMAGES ARISING FROM THE USE OF OUR PRODUCTS. SOME STATES DO NOT ALLOW THE EXCLUSION OR LIMITATION OF INCIDENTAL OR CONSEQUENTIAL DAMAGES, SO THE ABOVE LIMITATION OR EXCLUSION MAY NOT APPLY TO YOU.

JET sells through distributors only. The specifications listed in JET printed materials and on official JET website are given as general information and are not binding. JET reserves the right to effect at any time, without prior notice, those alterations to parts, fittings, and accessory equipment which they may deem necessary for any reason whatsoever. JET® branded products are not sold in Canada by JPW Industries, Inc.

Product Listing with Warranty Period

90 Days – Parts; Consumable items
1 Year – Motors; Machine Accessories
2 Year – Metalworking Machinery; Electric Hoists, Electric Hoist Accessories; Woodworking Machinery used for industrial or commercial purposes
5 Year – Woodworking Machinery
Limited Lifetime – JET Parallel clamps; VOLT Series Electric Hoists; Manual Hoists; Manual Hoist Accessories; Shop Tools; Warehouse & Dock products; Hand Tools; Air Tools

NOTE: JET is a division of JPW Industries, Inc. References in this document to JET also apply to JPW Industries, Inc., or any of its successors in interest to the JET brand.

NOTES

NOTES



427 New Sanford Road
LaVergne, Tennessee 37086
Phone: 800-274-6848
www.jettools.com