

Duraclick EDC Pencil Kit

Kit Features:

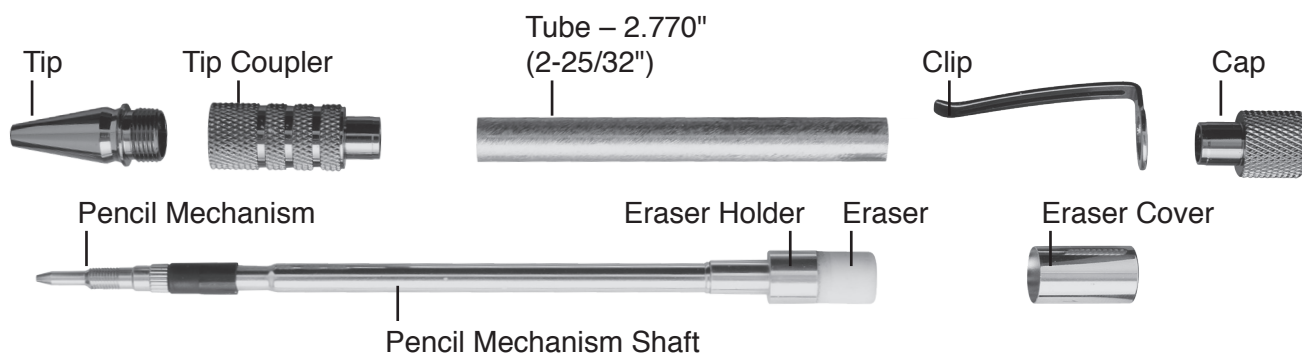
- Make a Matching Set with the Popular DuraClick Pen
- Knurled Parts for a Sure Grip
- Easy to Turn with Straight Tubes
- Minimal Parts—easy to assemble
- Available in multiple finishes
- Overall Length: 5-9/16"
- USES REFILL: Standard .7mm lead

Required Accessories:

- 7mm Pen Mandrel
- Drill Bit:# PK-8MMSG for plastic and #PKPARK-8MM for wood
- Bushing Set(2 pc): #PKSPCL3BU
- Barrel Trimming set:PKTRIM8 or 8mm sleeve from PKTRIMSET.
- Live Tailstock or Mandrel Saver
- 2 part Epoxy or Thick CA (Cyanoacrylate) Glue
- Pen Blank Minimum Size: 5/8" x 5/8" x 2-13/16"L



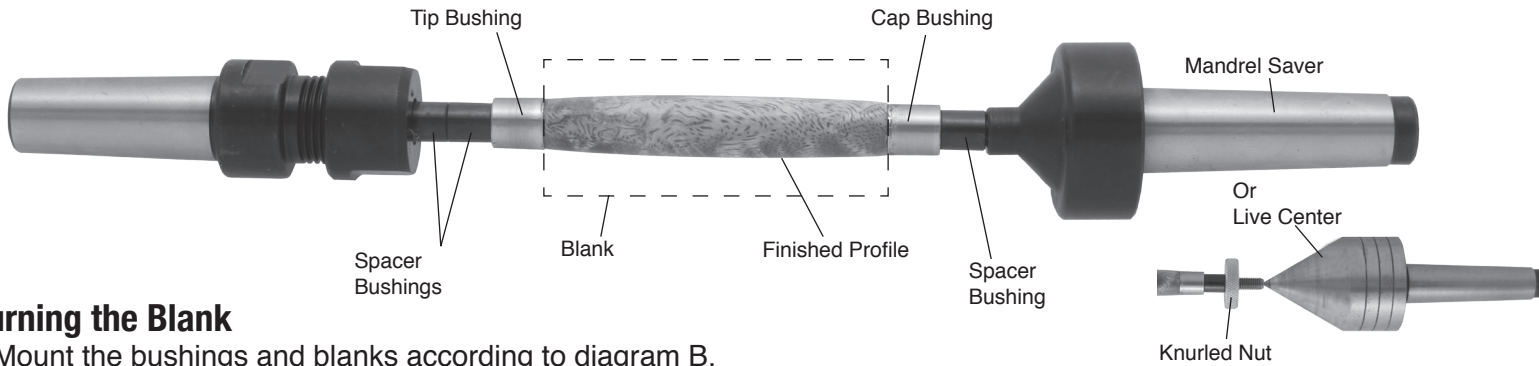
DIAGRAM A / PARTS LAYOUT



Preparing the Blank:

- Cut blank to the to the length of the tube, adding 1/16" for squaring off.
- Drill 8mm hole lengthwise through the blank.
- Spread glue over tube, insert the tube into the blank with a twisting motion to spread the glue evenly inside.
- Center the tube lengthwise inside the blank.
- When the glue is dry, square the ends of the blanks, making sure the trimmed ends are 90° to the tube. Use an 8mm barrel trimmer, or a pen blank squaring jig with an 8mm sleeve on a disc sander. Take the excess material down flush to the ends of the tubes. Do not trim past the end of the tube since this may interfere with the operation of the mechanism and assembly. Use a barrel trimmer to clean the inside of the tube.

DIAGRAM B / TURNING THE BLANKS



Turning the Blank

- Mount the bushings and blanks according to diagram B.
- Thread on the knurled nut and hand tighten to hold all components in place.
- Slide the Tailstock up snugly against the Mandrel shaft, inserting the live center point into the Mandrel dimple. Lock Tailstock.
- Hand tighten the quill adjustment on the Tailstock to steady the mandrel. Do not over tighten, it could damage the mandrel shaft.
- When using Mandrel Saver, there is no need for extra spacer bushings or the knurled nut. Slide Tailstock directly against bushings and tighten until blank and bushings are secure.
- Using sharp tools, turn the blank down close to the bushing diameter. Turn the barrel straight or to a profile of your choice.
- Sand the blank down to be flush with the bushings, gradually increasing sandpaper grits.
- Finish the barrel using your choice of polish. Allow Sufficient time for the polish to cure—refer to polish instructions.

Assembly

- Press Tip Coupler into either end of finished Barrel.
- Slide Clip onto Cap and Press Cap into remaining end of Barrel.
- **IMPORTANT: Thread Pencil Mechanism into the back of the Tip.**
- Remove Eraser Holder and slide mechanism into the Tip Coupler, threading the tip into the coupler. Hold assembly vertically so mechanism lead does not slide out the back of the mechanism.
- Slide Eraser Holder through cap and onto mechanism shaft and Slide Eraser Cover over the Eraser.
- Press on Eraser Cover to extend lead, to retract lead, press down and hold and push lead back into the tip.
- To Refill lead, pull Eraser Holder out of the cap and add into the opening in the back of mechanism.
- NOTE: Depending on your preference, eraser cover is optional.

DIAGRAM C / BUSHINGS #PKSPCL3BU

